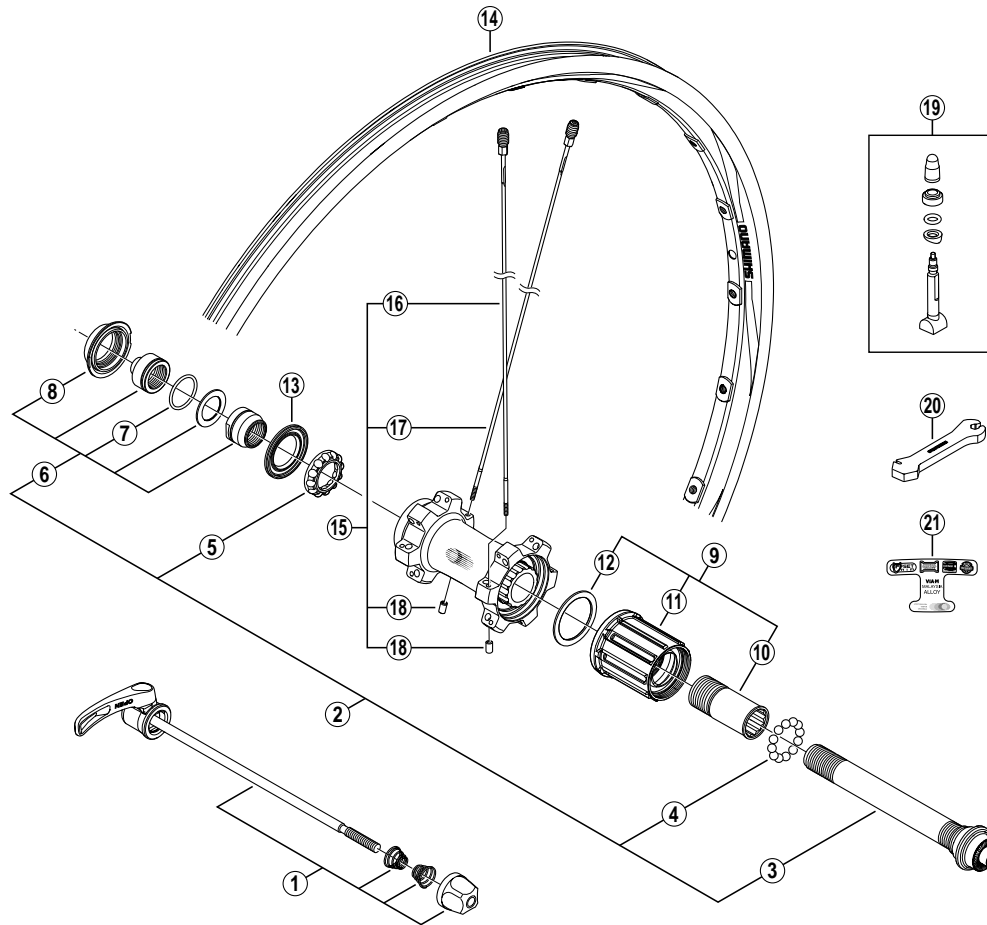


DEORE XT Rear Wheel (9-Speed)

WH-M770-R



• Over Lock Nut Dimension: 135 mm (5-5/16")

ITEM NO.	SHIMANO CODE NO.	DESCRIPTION	INTERCHANGEABILITY	
			WH-M775	FH-M775
1	Y-3D0 98020	Complete Quick Release 168 mm (6-5/8")	A	A
2	Y-3CZ 98010	Complete Hub Axle		
3	Y-3CZ 98020	Hub Axle Unit	A	A
4	Y-000 91210	Steel Ball (3/16") 20 pcs.	A	A
5	Y-26J 98030	Ball Retainer (3/16")	A	A
6	Y-3CZ 98030	Left Hand Lock Nut Unit		
7	Y-26J 12000	O-Ring		
8	Y-26J 11000	Dust Cap		
9	Y-3CZ 98040	Complete Freewheel Body w/Body Fixing Bolt	A	
10	Y-3CZ 18000	Body Fixing Bolt	A	
11	Y-3CZ 98050	Freewheel Body Unit	A	
12	Y-3CZ 12000	Freewheel Body Washer	A	
13	Y-26D 10000	Seal Ring	A	
* 14	E-WHRIM1TRDBD	Rim {24H / Black}		
* 15	E-WHSPOKE1TC1	Spoke Unit (Spoke (272 mm x 12 pcs. & 270 mm x 12 pcs.) / Spoke Plug (24 pcs.) / Washer (24 pcs.) / Hub Nut (24 pcs.))		
16	Y-4D7 98020	Right Hand Spoke (270 mm) w/Plug & Washer	A	
17	Y-4D7 98030	Left Hand Spoke (272 mm) w/Plug & Washer	A	
18	Y-4CK89000	Hub Nut	A	
19	Y-4CM98020	Valve Unit		
20	Y-4DA09000	Spoke Plug Wrench	A	
21	Y-4D7 12000	Rim Sticker C	A	

A: Same parts.

B: Parts are usable, but differ in materials, appearance, finish, size, etc.

Absence of mark indicates non-interchangeability.

0707-2712A

Specifications are subject to change without notice.

SHIMANO