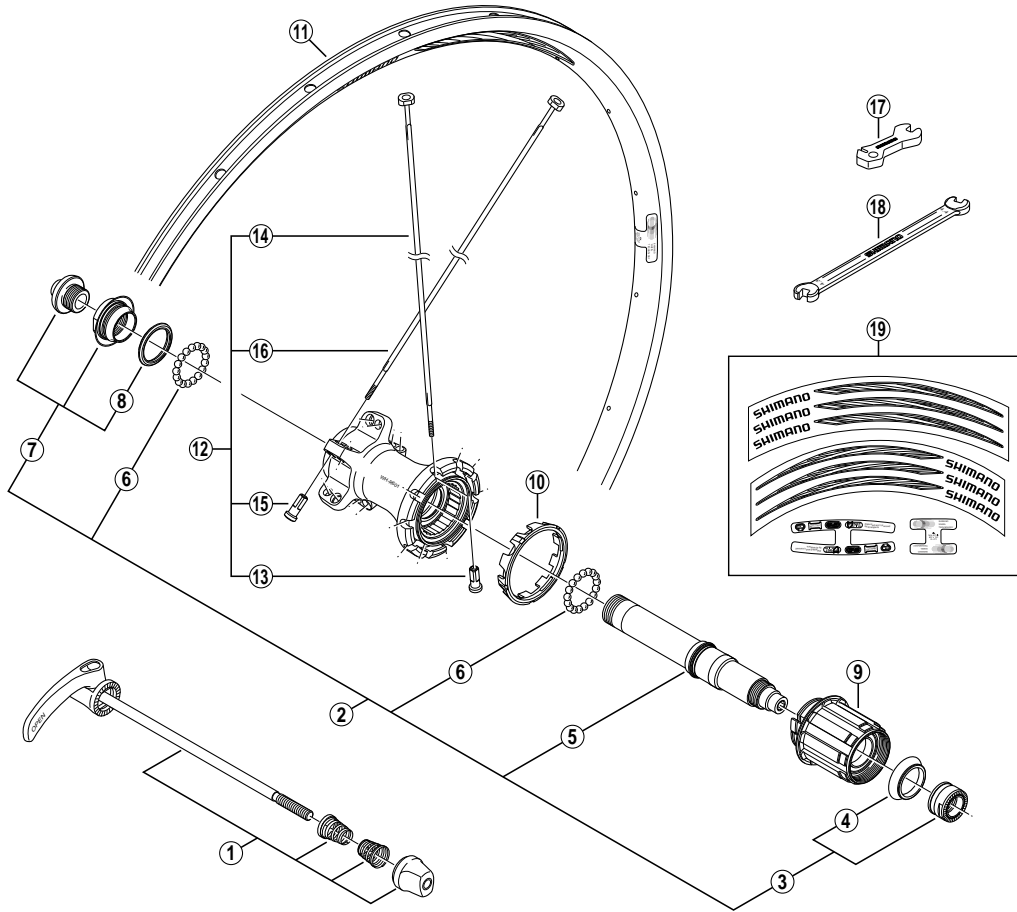


# Rear Wheel WH-R601-R 10-Speed



• Over Lock Nut Dimension: 130 mm (5-1/8")

WH-6600  
WH-5600  
WH-R561

ITEM NO.	SHIMANO CODE NO.	DESCRIPTION	INTERCHANGEABILITY
1	Y-4BS 90100	Complete Quick Release 163 mm (6-13/32")	B B B
2	Y-4CF 98050	Complete Hub Axle 121.5 mm	A
3	Y-4BR 98080	Right Hand Lock Nut (M15) & Seal Ring	A
4	Y-4BR 20000	Seal Ring for Right Hand Lock Nut	A
5	Y-4BR 98090	Hub Axle 121.5 mm	A
6	Y-4BR 98130	Steel Ball (5/32") 34 pcs.	A
7	Y-4CF 98060	Left Hand Lock Nut Unit	A
8	Y-4BR 17000	Left Hand Seal Ring	A
9	Y-4BR 98120	Complete Freewheel Body	A
10	Y-4BR 21000	Hub Body Cap	A
11	E-WHRIM1EREBC	Rim {20H / Black / Anodized / Clincher}	
12	E-WHSPOKE1HB1	Spoke Unit {Spoke (272 mm x 10 pcs. & 300 mm x 10 pcs.) / Spoke Washer (20 pcs.) / Right Hand Nipple (10 pcs.) / Left Hand Nipple (10 pcs.)}	B
13	Y-012 Z4205	Right Hand Nipple	B A B
14	Y-4CF 98080	Right Hand Spoke (272 mm) w/Washer	B
15	Y-012 Z4005	Left Hand Nipple	B A B
16	Y-4CF 98090	Left Hand Spoke (300 mm) w/Washer	B A B
17	Y-4A0 08000	Nipple Wrench	A A
18	Y-4A0 14000	TL-WH77 Nipple Wrench	A A
19	Y-4CF 98100	Rim Sticker Unit	

A: Same parts.

B: Parts are usable, but differ in materials, appearance, finish, size, etc.

Absence of mark indicates non-interchangeability.

0606-2560

Specifications are subject to change without notice.

# SHIMANO